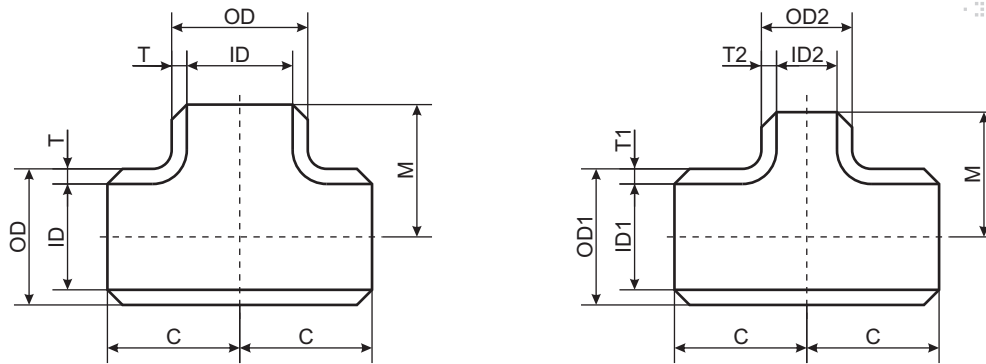


STEEL PIPE FITTINGS



► Equal and Reducing Tees



MSS SP-75 ANSI B16.9(in mm)
* Wellgrow's standard

Nominal Pipe Size (NPS)	Outside Diameter At Bevel D		Center to End	
	Run	Outlet	Run C	Outlet(1) M
1/2x1/2	21.3	21.3	25.4	25.4
1/2x3/8		17.1		25.4
1/2x1/4		13.7		25.4
3/4x3/4	26.7	26.7	28.4	28.4
3/4x1/2		21.3		28.4
3/4x3/8		17.1		28.4
1x1	33.4	33.4	38.1	38.1
1x3/4		26.7		38.1
1x1/2		21.3		38.1
1-1/4x1-1/4	42.2	42.2	47.8	47.8
1-1/4x1		33.4		47.8
1-1/4x3/4		26.7		47.8
1-1/4x1/2		21.3		47.8
1-1/2x1-1/2	48.3	48.3	57.2	57.2
1-1/2x1-1/4		42.2		57.2
1-1/2x1		33.4		57.2
1-1/2x3/4		26.7		57.2
1-1/2x1/2		21.3		57.2
2x2	60.3	60.3	63.5	63.5
2x1-1/2		48.3		60.5
2x1-1/4		42.2		57.2
2x1		33.4		50.8
2x3/4		26.7		44.4
2x1/2*		21.3		
2-1/2x2-1/2	73.0	73.0	76.2	76.2
2-1/2x2		60.3		69.8
2-1/2x1-1/2		48.3		66.5
2-1/2x1-1/4		42.2		63.5
2-1/2x1		33.4		57.2
3x3	88.9	88.9	85.9	85.9
3x2-1/2		73.0		82.6
3x2		60.3		76.2
3x1-1/2		48.3		73.2
3x1-1/4		42.2		69.8
3x1*		33.4		
3-1/2x3-1/2	101.6	101.6	95.2	95.2
3-1/2x3		88.9		91.9
3-1/2x2-1/2		73.0		88.9
3-1/2x2		60.3		82.6
3-1/2x1-1/2		48.3		79.2

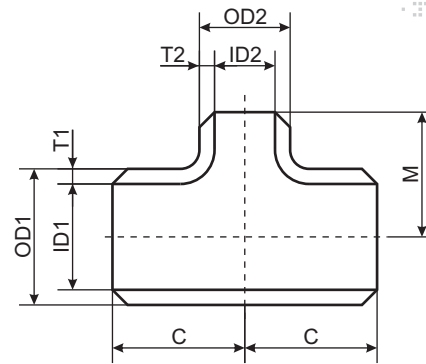
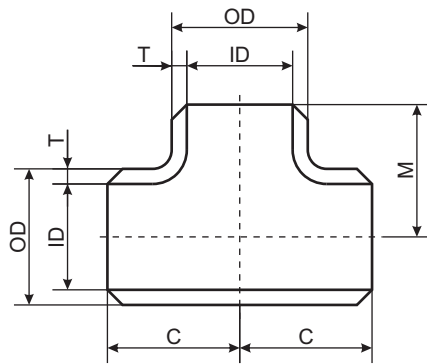
Nominal Pipe Size (NPS)	Outside Diameter At Bevel D		Center to End	
	Run	Outlet	Run C	Outlet(1) M
4x4	114.3	114.3	104.6	104.6
4x3-1/2		101.6		101.6
4x3		88.9		98.6
4x2-1/2		73.0		95.2
4x2		60.3		88.9
4x1-1/2		48.3		85.9
4x1-1/4		42.2		
4x1*		33.5		
5x5	141.3	141.3	124.0	124.0
5x4		114.3		117.3
5x3-1/2		101.6		114.3
5x3		88.9		111.3
5x2-1/2		73.0		108.0
5x2		60.3		104.6
5x1-1/2*		48.3		
6x6	168.3	168.3	142.7	142.7
6x5		141.3		136.7
6x4		114.3		130.0
6x3-1/2		101.6		127.0
6x3		88.9		124.0
6x2-1/2		73.0		120.6
6x2*		60.3		
8x8	219.1	219.1	177.8	177.8
8x6		168.3		168.1
8x5		141.3		162.1
8x4		114.3		155.4
8x3-1/2		101.6		152.4
8x3*		88.9		
10x10	273.1	273.1	215.9	215.9
10x8		219.1		203.2
10x6		168.3		193.5
10x5		141.3		190.5
10x4		114.3		184.2
12x12	323.9	323.9	254.0	254.0
12x10		273.1		241.3
12x8		219.1		228.6
12x6		168.3		218.9
12x5		141.3		215.9

(1)Outlet dimension "M" for run sizes 14 and larger is recommended but not mandatory.

STEEL PIPE FITTINGS



► Equal and Reducing Tees



MSS SP-75 ANSI B16.9(in mm)
* Wellgrow's standard

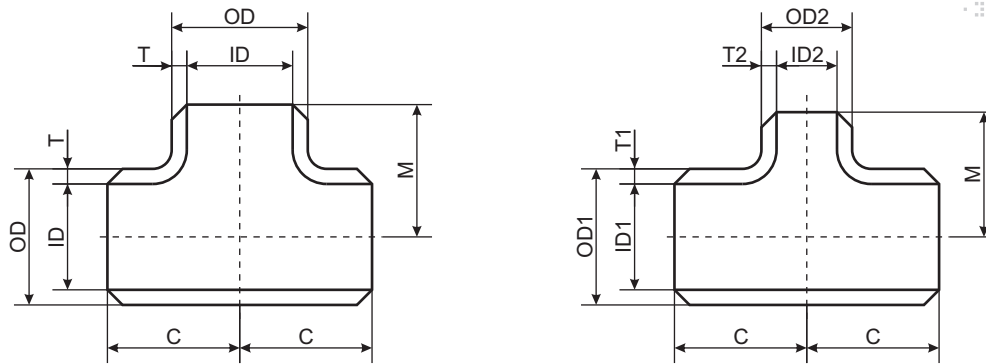
Nominal Pipe Size (NPS)	Outside Diameter At Bevel D		Center to End	
	Run	Outlet	Run C	Outlet(1) M
14x14	355.6	355.6	279.4	279.4
14x12		323.9		269.7
14x10		273.1		257.0
14x8		219.1		247.6
14x6		168.3		238.3
16x16	406.4	406.4	304.8	304.8
16x14		355.6		304.8
16x12		323.9		295.1
16x10		273.1		282.4
16x8		219.1		373.0
16x6		168.3		263.7
18x18	457.2	457.2	342.9	342.9
18x16		406.4		330.2
18x14		355.6		330.2
18x12		323.9		320.5
18x10		273.1		307.8
18x8		219.1		298.4
20x20	508.0	508.0	381.0	381.0
20x18		457.2		369.3
20x16		406.4		355.6
20x14		355.6		355.6
20x12		323.9		345.9
20x10		273.1		333.2
20x8		219.1		323.8
22x22	558.8	558.8	419.1	419.1
22x20		508.0		406.4
22x18		457.2		393.7
22x16		406.4		381.0
22x14		355.6		381.0
22x12		323.9		371.3
22x10		273.1		358.6
24x24	609.6	609.6	431.8	431.8
24x22		558.8		431.8
24x20		508.0		431.8
24x18		457.2		419.1
24x16		406.4		406.4
24x14		355.6		406.4
24x12		323.9		396.7
24x10		273.1		384.0
26x26	660.4	660.4	495.3	495.3
26x24		609.6		482.6

Nominal Pipe Size (NPS)	Outside Diameter At Bevel D		Center to End	
	Run	Outlet	Run C	Outlet(1) M
26x22		558.8		469.9
26x20		508.0		457.2
26x18		457.2		444.5
26x16		406.4		431.8
26x14		355.6		431.8
26x12		323.1		422.1
28x28	711.2	711.2	520.7	520.7
28x26		660.4		520.7
28x24		609.6		508.0
28x22		558.8		495.3
28x20		508.0		482.6
28x18		457.2		469.9
28x16		406.4		457.2
28x14		355.6		457.2
28x12		323.1		447.5
30x30	762.0	762.0	558.8	558.8
30x28		711.2		546.1
30x26		660.4		546.1
30x24		609.6		533.4
30x22		558.8		520.7
30x20		508.0		508.0
30x18		457.2		495.3
30x16		406.4		482.6
30x14		355.6		482.6
30x12		323.9		472.6
30x10		273.1		460.2
32x32	812.8	812.8	596.9	596.9
32x30		762.0		584.2
32x28		711.2		571.5
32x26		660.4		571.5
32x24		609.6		558.8
32x22		558.8		546.1
32x20		508.0		533.4
32x18		457.2		520.7
32x16		406.4		508.0
32x14		355.6		508.0
34x34	863.6	863.6	635.0	635.0
34x32		812.8		622.3
34x30		762.0		609.6
34x28		711.2		596.9
34x26		660.4		596.9

(1)Outlet dimension "M" for run sizes 14 and larger is recommended but not mandatory.

STEEL PIPE FITTINGS

► Equal and Reducing Tees



MSS SP-75 ANSI B16.9(in mm)
* Wellgrow's standard

Nominal Pipe Size (NPS)	Outside Diameter At Bevel D		Center to End	
	Run	Outlet	Run C	Outlet(1) M
34x24		609.6		584.2
34x22		558.8		571.5
34x20		508.0		558.8
34x18		457.2		546.1
34x16		406.4		533.4
36x36	914.4	914.4	673.1	673.1
36x34		863.6		660.4
36x32		812.8		647.7
36x30		762.0		635.0
36x28		711.2		622.3
36x26		660.4		622.3
36x24		609.6		609.6
36x22		558.8		596.9
36x20		508.0		584.2
36x18		457.2		571.5
36x16		406.4		558.8
38x38	965.2	965.2	711.2	711.2
38x36		914.4		711.2
38x34		863.6		698.5
38x32		812.8		685.8
38x30		762.0		673.1
38x28		711.2		647.7
38x26		660.4		647.7
38x24		609.6		635.0
38x22		558.8		622.3
38x20		508.0		609.6
38x18		457.2		596.9
40x40	1016.0	1016.0	749.3	749.3
40x38		965.2		749.3
40x36		914.4		736.6
40x34		863.6		723.9
40x32		812.8		711.2
40x30		762.0		698.5
40x28		711.2		673.1
40x26		660.4		673.1
40x24		609.6		660.4
40x22		558.8		647.7
40x20		508.0		635.0
40x18		457.2		622.3
42x42	1066.8	1066.8	762.0	711.2
42x40		1016.0		711.2

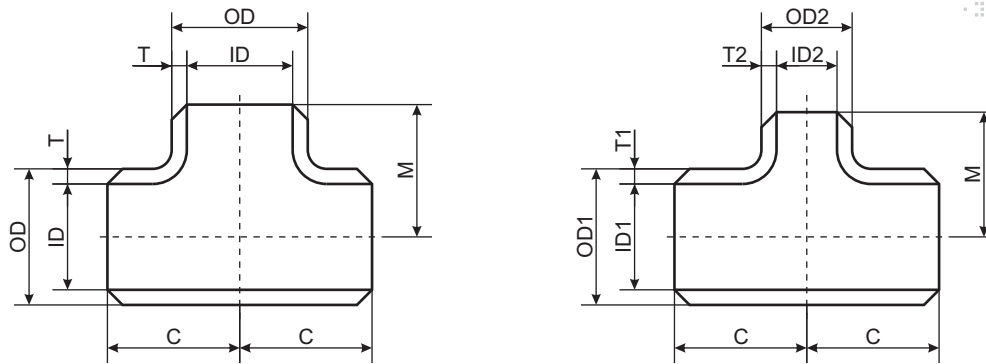
Nominal Pipe Size (NPS)	Outside Diameter At Bevel D		Center to End	
	Run	Outlet	Run C	Outlet(1) M
42x38		965.2		711.2
42x36		914.4		711.2
42x34		863.6		711.2
42x32		812.8		711.2
42x30		762.0		711.2
42x28	1066.8	711.2	762.0	698.5
42x26		660.4		698.5
42x24		609.6		660.4
42x22		558.8		660.4
42x20		508.0		660.4
42x18		457.2		647.7
42x16		406.4		635.0
44x44	1117.6	1117.6	812.8	762.0
44x42		1066.8		762.0
44x40		1016.0		749.3
44x38		965.2		736.6
44x36		914.4		723.9
44x34		863.6		723.9
44x32		812.8		711.2
44x30		762.0		711.2
44x28		711.2		698.5
44x26		660.4		698.5
44x24		609.6		698.5
44x22		558.8		685.8
44x20		508.0		685.8
46x46	1168.4	1168.4	850.9	800.1
46x44		1117.6		800.1
46x42		1066.8		787.4
46x40		1016.0		774.7
46x38		965.2		762.0
46x36		914.4		762.0
46x34		863.6		749.3
46x32		812.8		749.3
46x30		762.0		736.6
46x28		711.2		736.6
46x26		660.4		736.6
46x24		609.6		723.9
46x20*		508.0		723.9
48x48	1219.2	1219.2	889.0	838.2
48x46		1168.4		838.2
48x44		1117.6		838.2

(1) Outlet dimension "M" for run sizes 14 and larger is recommended but not mandatory.

STEEL PIPE FITTINGS



► Equal and Reducing Tees



MSS SP-75 ANSI B16.9(in mm)
* Wellgrow's standard

Nominal Pipe Size (NPS)	Outside Diameter At Bevel D		Center to End	
	Run	Outlet	Run C	Outlet(1) M
48x42		1066.8		812.8
48x40		1016.0		812.8
48x38		965.2		812.8
48x36		914.4		787.4
48x34		863.6		787.4
48x32	1219.2	812.8	889.0	787.4
48x44		1117.6		838.2
48x42		1066.8		812.8
48x40		1016.0		812.8
48x38		965.5		812.8
48x36		914.4		787.4
48x34		863.6		787.4
48x32		812.8		787.4
48x30		862.0		762.0
48x28		711.2		762.0
48x26		660.4		762.0
48x24		609.6		736.6
48x22		558.8		736.6
52x52*	1320.8	1320.8	965.2	914.4
52x48*		1219.2		863.6
52x44*		1117.6		812.8
52x40*		1016.0		762.0
54x54*	1371.6	1371.6	1003.3	952.5
54x52*		1320.8		914.4
54x48*		1219.2		863.6
54x44*		1117.6		863.6
54x40*		1016.0		812.8
54x28*		711.2		787.4
54x20*		508.0		787.4
56x56*	1422.4	1422.4	1041.4	965.2
56x52*		1320.8		914.4
56x48*		1219.2		863.6
56x44*		1117.6		812.8
56x40*		1016.0		812.8
56x28*		711.2		812.8
56x20*		508.0		812.8
60x60*	1524.0	1524.0	1117.6	1016.0
60x56*		1422.4		965.2
60x52*		1320.8		914.4
60x48*		1219.2		863.6

Nominal Pipe Size (NPS)	Outside Diameter At Bevel D		Center to End	
	Run	Outlet	Run C	Outlet(1) M
60x40*		1016.0		863.6
60x28*		711.2		863.6
60x20*		508.0		863.6
64x64*	1626.0	1626.0	1194.0	1092.0
64x60*		1524.0		1067.0
64x56*		1422.0		1016.0
64x52*		1321.0		965.0
64x48*		1219.0		914
66x66*	1676.4	1676.4	1219.2	1066.8
68x68*	1727.0	1727.0	1270.0	1168.0
68x64*		1626.0		1143.0
68x60*		1524.0		1118.0
68x56*		1422.0		1067.0
68x52*		1321.0		1016.0
68x48*		1219.0		965.0
72x72*	1829.0	1829.0	1320.0	1245.0
72x68*		1727.0		1219.0
72x64*		1626.0		1194.0
72x60*		1524.0		1168.0
72x56*	1829.0	1422.0	1320.0	1118.0
72x52*		1321.0		1067.0
72x48*		1219.0		1016.0
76x76*	1930.0	1930.0	1422.0	1320.0
76x72*		1829.0		1295.0
76x68*		1727.0		1270.0
76x64*		1626.0		1245.0
76x60*		1524.0		1219.0
76x56*		1422.0		1168.0
76x52*		1321.0		1118.0
76x48*		1219.0		1067.0
80x80*	2032.0	2032.0	1499.0	1397.0
80x76*		1930.0		1372.0
80x72*		1829.0		1346.0
80x68*		1727.0		1321.0
80x64*		1626.0		1295.0
80x60*		1524.0		1270.0
80x56*		1422.0		1219.0
80x52*		1321.0		1168.0
80x48*		1219.0		1118.0

(1)Outlet dimension "M" for run sizes 14 and larger is recommended but not mandatory.