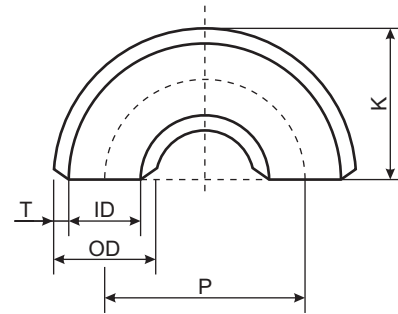
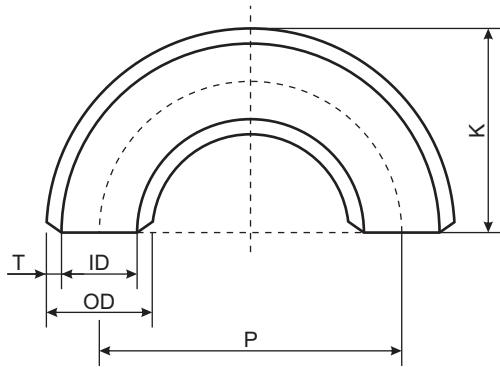


STEEL PIPE FITTINGS



► Long and Short Radius 180° Elbows



ANSI B16.9 B16.28(in mm)

Nominal Pipe Size (NPS)	Outside Diameter at Bevel D	Long Radius Elbows		Short Radius Elbows	
		Center to Center P	Back to Face K	Center to Center P	Back to Face K
1/2	21.3	76.2	47.8	-	-
3/4	26.7	76.2	50.8	-	-
1	33.4	76.2	55.6	50.8	41.1
1-1/4	42.2	95.2	69.8	63.5	52.3
1-1/2	48.3	114.3	82.6	76.2	62.0
2	60.3	152.4	106.4	101.6	81.0
2-1/2	73.0	109.5	131.8	127.0	100.1
3	88.9	228.6	158.8	152.4	120.7
3-1/2	101.6	266.7	184.2	177.8	139.7
4	114.3	304.8	209.6	203.2	158.8
5	141.3	381.0	261.9	254.0	196.9
6	168.3	457.2	312.7	304.8	236.5
8	219.1	609.6	414.3	406.4	312.7
10	273.1	762.0	517.7	508.0	390.7
12	323.9	914.4	619.3	609.6	466.9
14	355.6	1066.8	711.2	711.2	533.4
16	406.4	1219.2	812.8	812.8	609.6
18	457.2	1371.6	914.4	914.4	685.8
20	508.0	1524.0	1016.0	1016.0	762.0
22	558.8	1676.4	1117.6	1117.6	838.2
24	609.6	1828.8	1219.2	1219.2	914.4